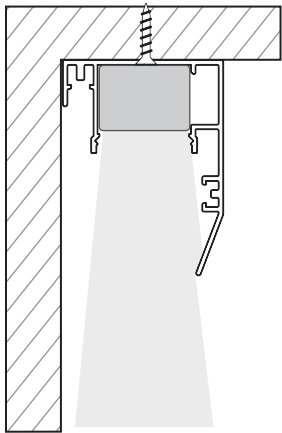
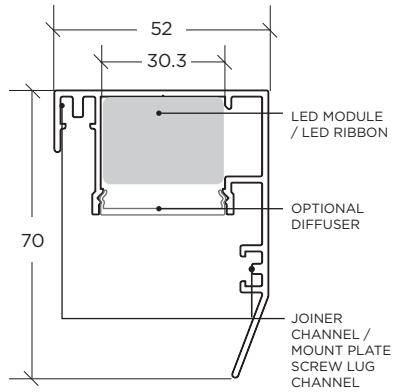


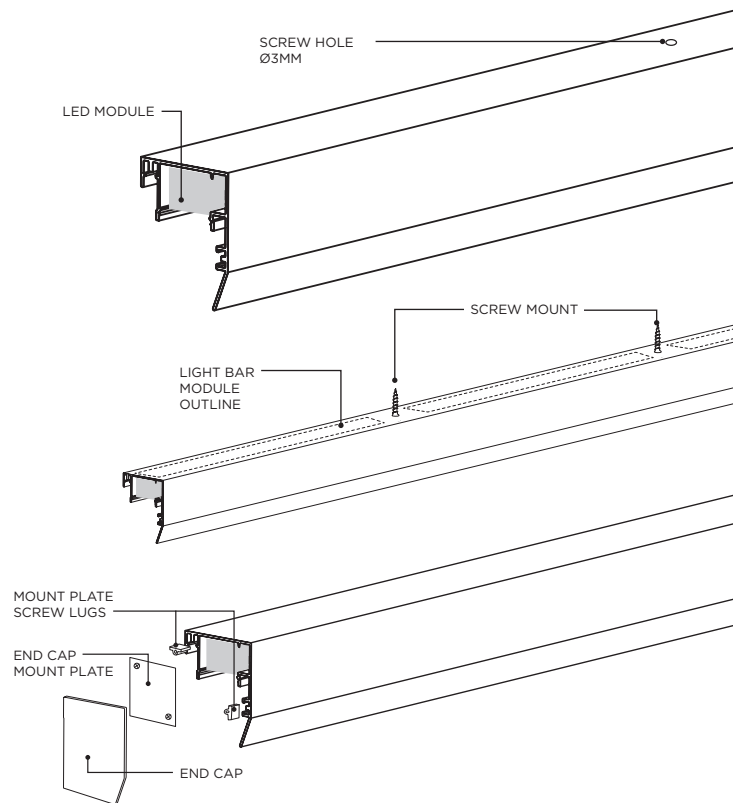
## VIVID 70

### 1. DIMENSIONS & INSTALLATION

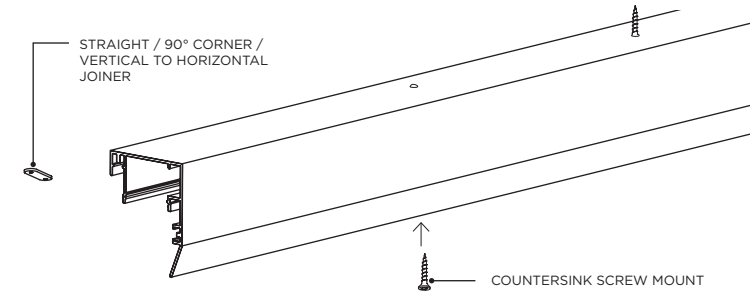


### 2. LED MODULE LIGHT INSTALLATION

1. Drill hole in joinery for electrical cable.
2. When joining, use the appropriate joiner (straight / corner / vertical to horizontal) and tighten grub screws.
3. Drill cable entry hole in profile / end cap for LED power feed. Thread LED power feed through hole, ensuring it is protected from sharp profile edges e.g. heatshrink or similar.
4. Light Bar modules will come pre-installed. Screw mount through pre-drilled holes (located between modules).
5. Secure end caps by inserting mount plate screw lugs into channels and screw mounting mount plate. End cap fits over plate.
6. Connect LED power feed to LED driver.



### 3. LED RIBBON LIGHT INSTALLATION



1. Drill hole in joinery for electrical cable.
2. When joining, use the appropriate joiner (straight / corner / vertical to horizontal) and tighten grub screws.
3. Use countersunk screws to secure base against wall/ceiling. Ensure screws do not stick up as this will prevent modules sliding in and/or creates an uneven surface for the LED ribbon.
4. Drill cable entry hole in profile / end cap for LED power feed. Thread LED power feed through hole, ensuring it is protected from sharp profile edges e.g. heatshrink or similar.
5. Before mounting LED strip, clean Light Engine using an alcohol based cleaner. Remove 3M paper from LED strip and attach to profile surface.
6. Clip diffuser into place to protect LED ribbon (optional).
7. Secure end caps by inserting mount plate screw lugs into channels and screw mounting mount plate. End cap fits over plate.
8. Connect LED power feed to LED driver.

