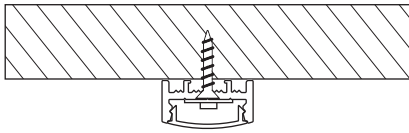
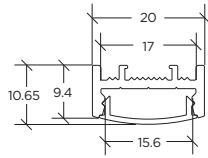


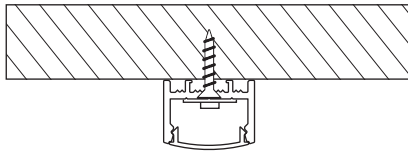
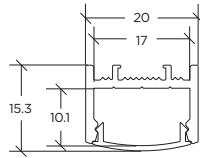
SCREW FIXING

MODELS

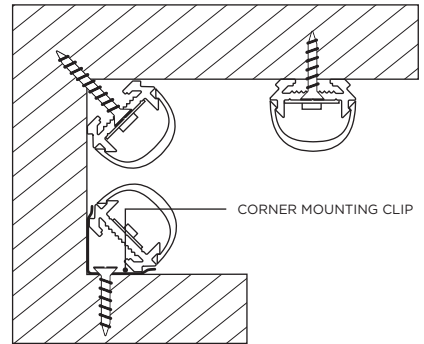
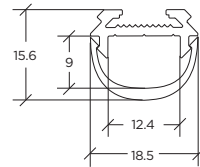
STRAIT 10



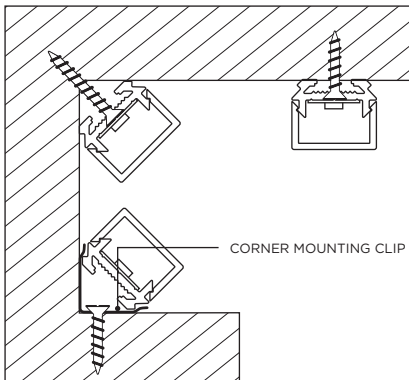
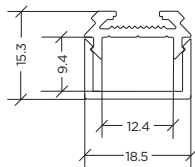
STRAIT 15



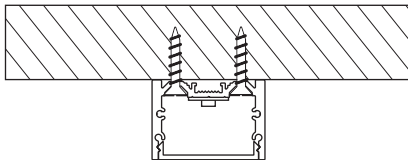
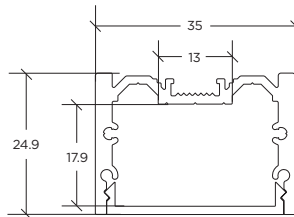
LUNAR 15



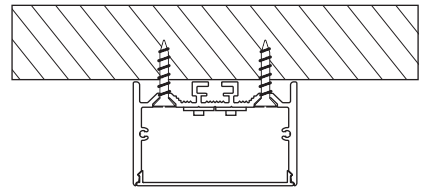
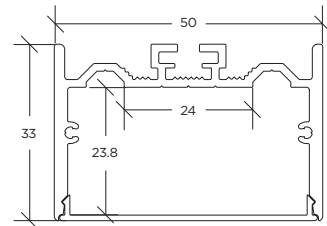
HORIZON 15



CHARGE 24



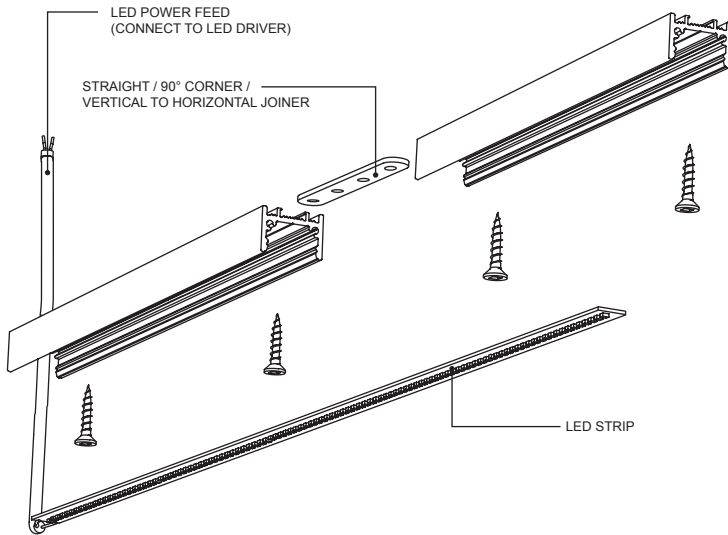
CHARGE 33



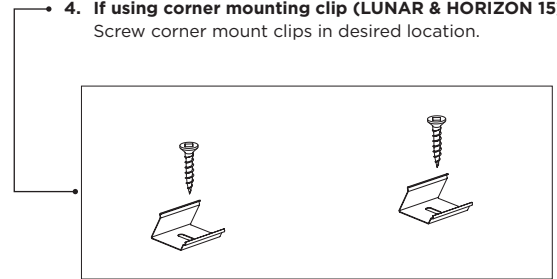
SCREW FIXING

INSTALLATION

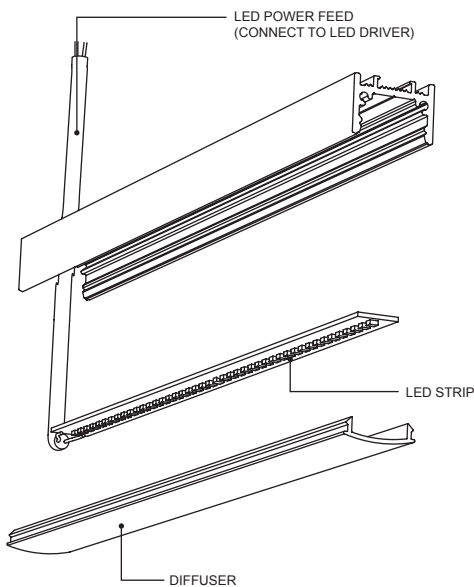
1 // PROFILE INSTALLATION



1. Where joining profile, use the appropriate joiner and tighten grub screws.
2. Drill cable entry hole in profile for LED power feed. Thread LED power feed through hole, ensuring it is protected from sharp profile edges e.g. heatshrink or similar.
3. **If screw mounting profile:** Countersink screw holes (excluding CHARGE 24 & 33) in profile to ensure a flat surface for mounting LED. Use suitable screws (not supplied) to secure profile.
4. **If using corner mounting clip (LUNAR & HORIZON 15):** Screw corner mount clips in desired location.

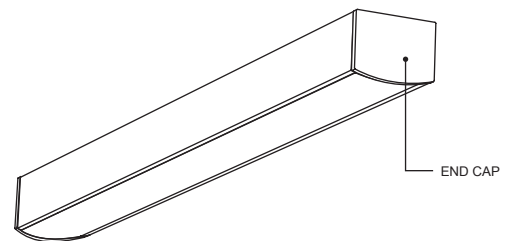


2 // LED INSTALLATION



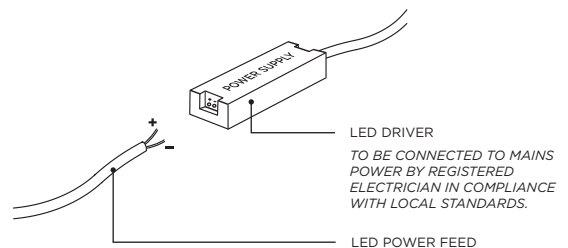
1. **IMPORTANT** - Before mounting LED strip, clean profile using an alcohol based cleaner.
2. Remove 3M paper from LED strip. Use the guide lines at the back of the profile as a guide to mount the LED strip.
3. Attach diffuser to profile by clicking in securely.

3 // SECURE END CAPS / CORNER MOUNT CLIP



1. Secure end caps by pressing into place (*may require a touch of silicone*).
2. **If using corner mounting clip (LUNAR & HORIZON 15):** Clip completed profile into corner mount clips.

4 // MAKE ELECTRICAL CONNECTION



1. Connect LED power feed to LED driver.