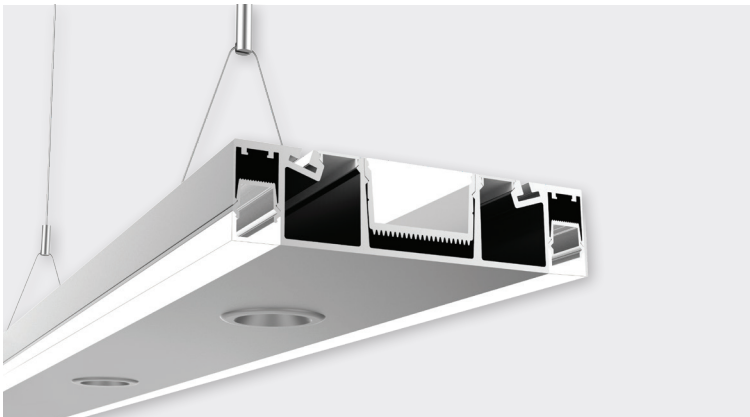


STORM 37



FEATURES

The STORM family is a sophisticated, suspended luminaire system that is perfect as an architectural feature or in general applications. A sleek, high powered solution with multiple lighting options, STORM is suitable for both residential and commercial lighting projects.

STORM 37 is designed with down lighting, optional up lighting and additional down light units available for situations where glare-free illumination is vital.

- W156mm x H37.6mm
- Rectangle frosted acrylic diffusers for down lighting and satin opal polycarbonate diffuser for up lighting
- Anodised aluminium, black or white powder-coat finishes
- Custom colour finishes available
- Optional down light units available
- Suspend mount

ACCESSORIES

Complete profile systems include all accessories required for the specific application and installation. An accessories data sheet is available.

TECHNICAL

Installation guides, CAD drawing files and IES files are available.



COLOURS AVAILABLE

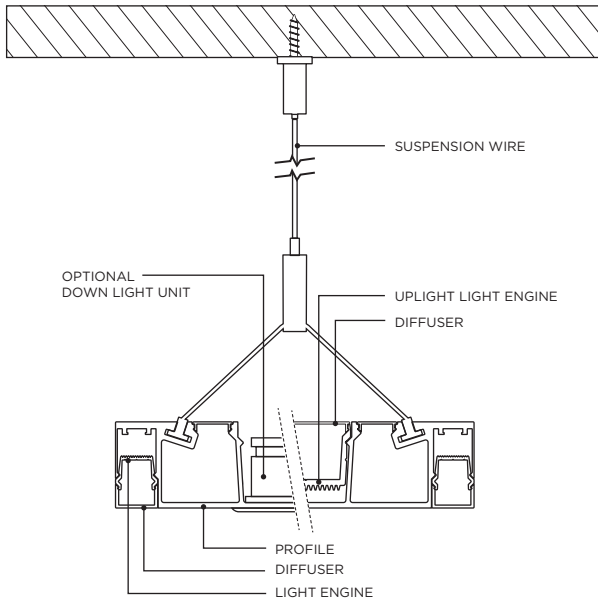


DIRECT AND INDIRECT



INSTALLATION

Suspended



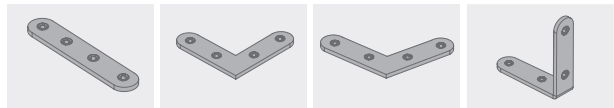
STORM 37 SPECIFIC ACCESSORIES



Y SUSPENSION WIRE WITH BASE
4 METRE CABLE

Anodised aluminium. Max. distance
of 2m between suspension wires.

JOINER ACCESSORIES



STRAIGHT

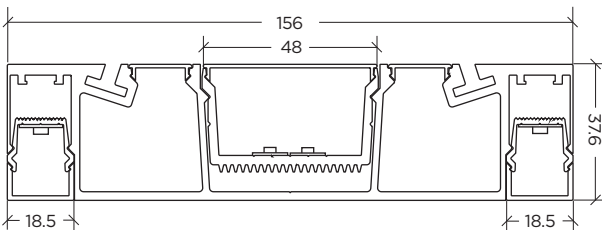
90° CORNER

120° CORNER

VERTICAL TO
HORIZONTAL

DIMENSIONS

USING STANDARD DOWN LIGHTING AND OPTIONAL UP LIGHTING



USING DOWN AND UP LIGHTING WITH ADDITIONAL DOWN LIGHT UNIT

