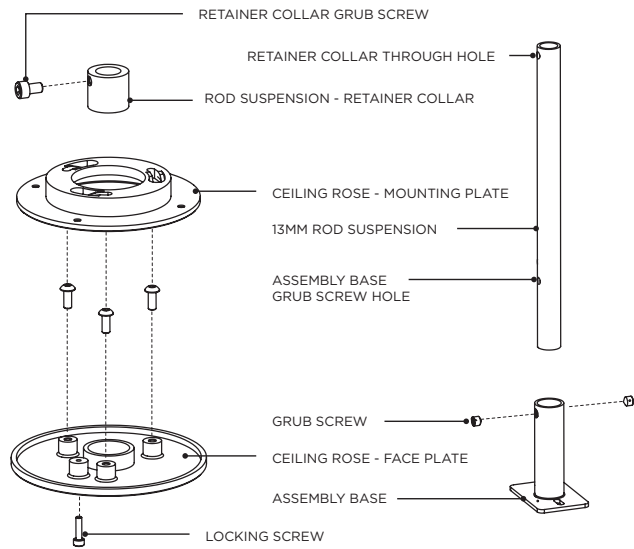
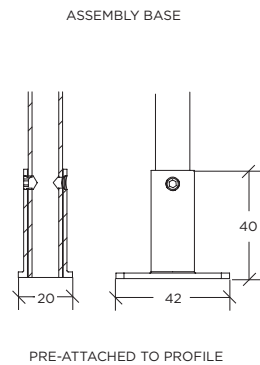
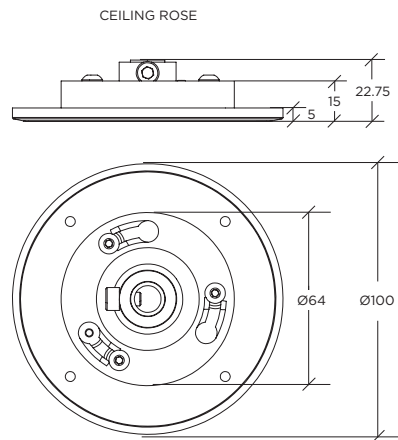


**ROD SUSPENSION | FLUSH MOUNT CEILING ROSE**

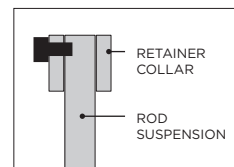
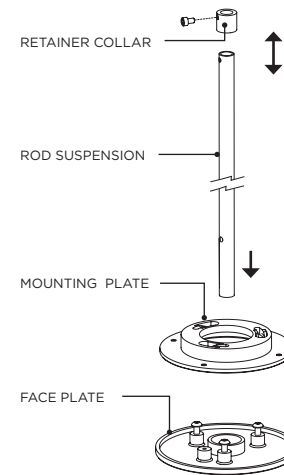


**DIMENSIONS**



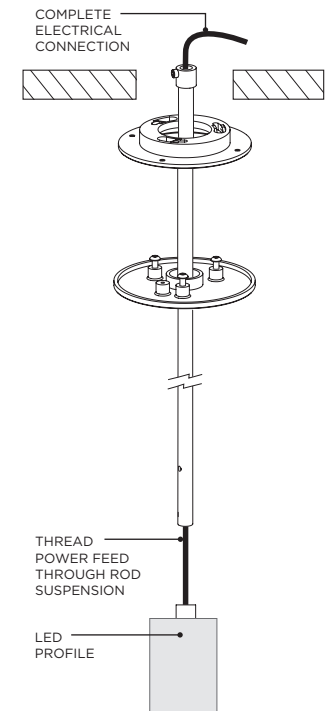
**FLUSH MOUNT INSTALLATION**

1. Select appropriate ceiling location where the power feed cable can connect to power source or to the LED driver.
  2. Drill hole for mounting plate  $\varnothing 65-68\text{mm}$ .
- 3. Separately:**
- Screw rod suspension retainer collar onto ceiling end of the rod suspension. *Drill retainer collar grub screw hole in Rod if not present or if cut on-site.*
  - Thread the rod suspension through the mounting plate.
  - Thread the rod suspension through the face plate.



**IMPORTANT!**  
Ensure screws extend through Retainer Collar holes in Rod Suspension and are not just pressing on the sides. *Double-check even if supplied assembled.*

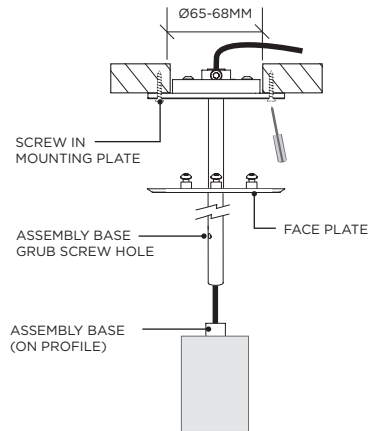
4. Then thread the power feed cable through centre of suspension rod.
5. Complete electrical connection in ceiling cavity with power feed cable from rod suspension.



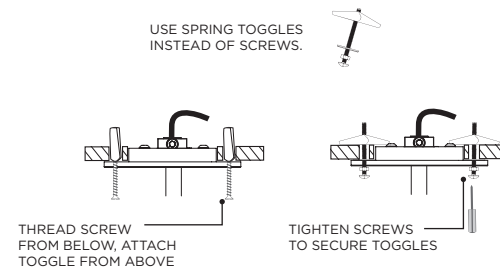
INSTRUCTIONS CONTINUE OVERLEAF

**FLUSH MOUNT INSTALLATION**

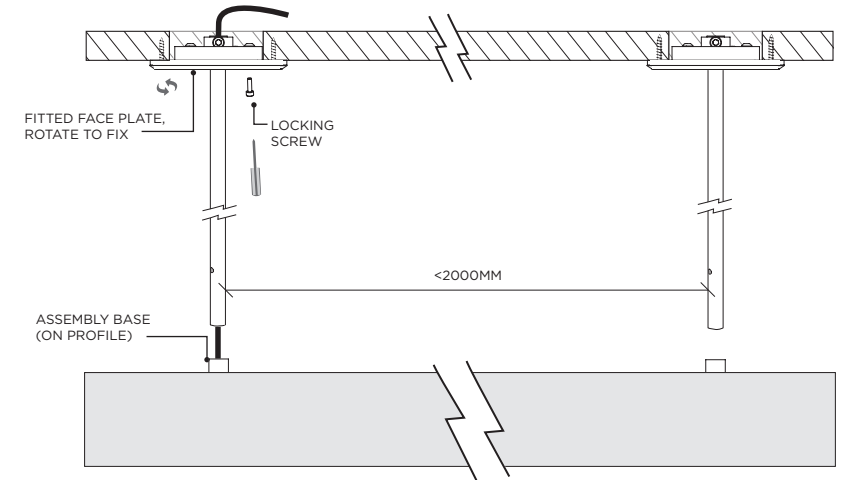
**6. When mounting into timber:** Position the mounting plate and screw into ceiling using 4 x screws suitable for timber fixing (not supplied).



**7. When mounting into plasterboard:** Drill 4 x 10mm holes through plasterboard, thread spring toggle screws through mounting plate from below and attached toggles from above. Insert all toggles into plasterboard holes and screw to tighten.

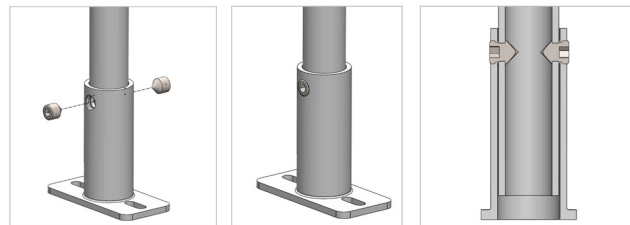
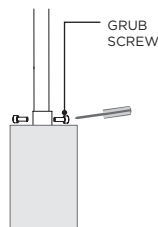


**8. Position face plate screws up against the mounting plate and twist to fix in place, tighten locking screw to secure.**



- Insert the Rod Suspension into the assembly base (pre-attached to profile) and secure with 2 x grub screws (included).

*Drill grub screw hole through Rod if not present or if cut on-site.*



**IMPORTANT!**

Ensure screws extend through holes in Rod Suspension (not just pressing on sides).