

FLARE 33



FEATURES

The FLARE family is designed for recessed applications. It has a flat diffuser and comes in depth options of 10, 15, 24 and 33mm. The stylish trim allows for a forgiving installation ensuring a clean finish.

FLARE 33 uses a recessed mounting clip system for easy installation. It is perfect for residential and commercial lighting projects.

- W70mm x H33mm (with trim)
- Satin opal polycarbonate diffuser
- Anodised aluminium, black or white powder-coat finishes
- Custom colour finishes available
- Recessed

ACCESSORIES

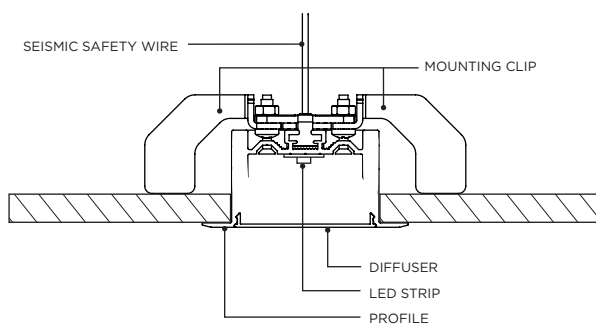
Complete profile systems include all accessories required for the specific application and installation. An accessories data sheet is available.

TECHNICAL

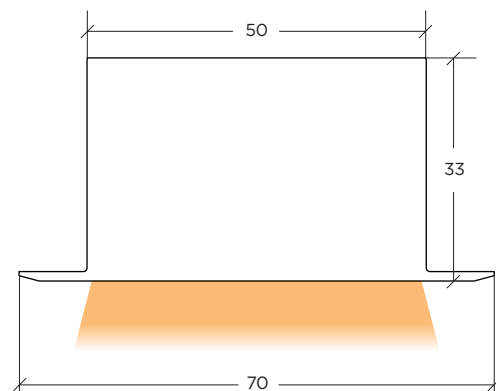
Installation guides, CAD drawing files and IES files are available.

INSTALLATION

Recessed - requires cut out of 57-60mm.



DIMENSIONS



COLOURS AVAILABLE



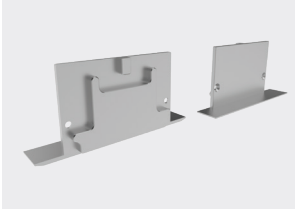
DIRECT



ACCESSORIES

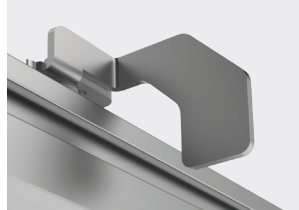
Accessories are included in all complete profile systems; depending on application and installation.

FLARE 33 SPECIFIC ACCESSORIES



END CAP

Available in anodised aluminium, black or white



MOUNTING CLIP PAIR

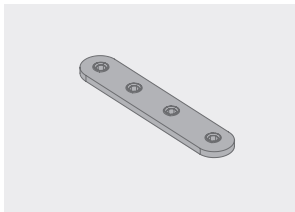
Pair required every 600mm of profile length



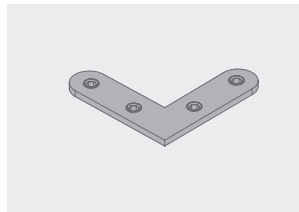
SEISMIC SAFETY WIRE

Minimum of two wires per installation

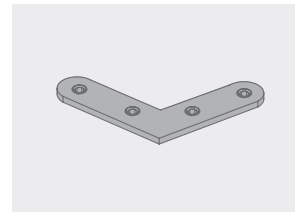
JOINER ACCESSORIES



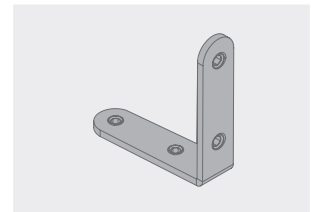
STRAIGHT



90° CORNER



120° CORNER



VERTICAL TO HORIZONTAL