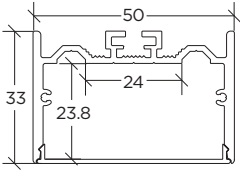


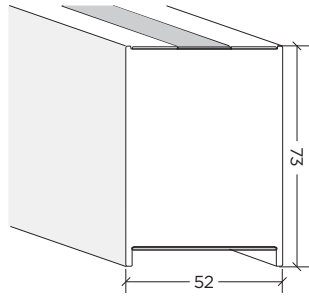
SUSPENDED

MODELS

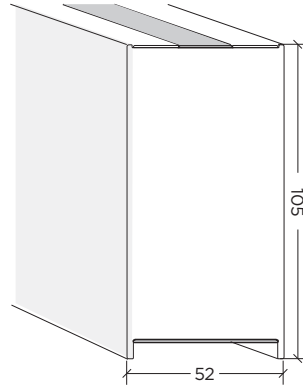
CHARGE 33



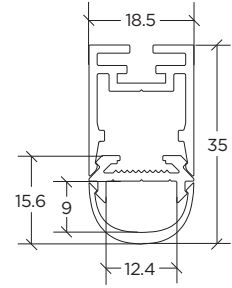
CHARGE 73



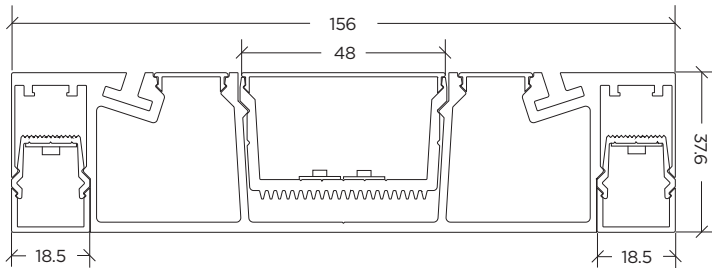
CHARGE 105



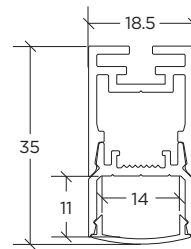
LUNAR 35



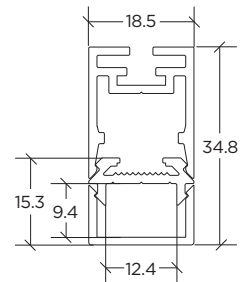
STORM 37



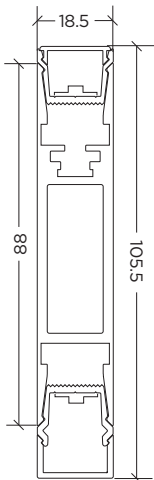
STRAIT 35



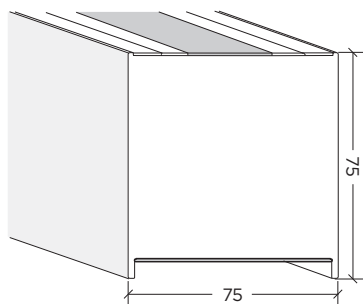
HORIZON 34



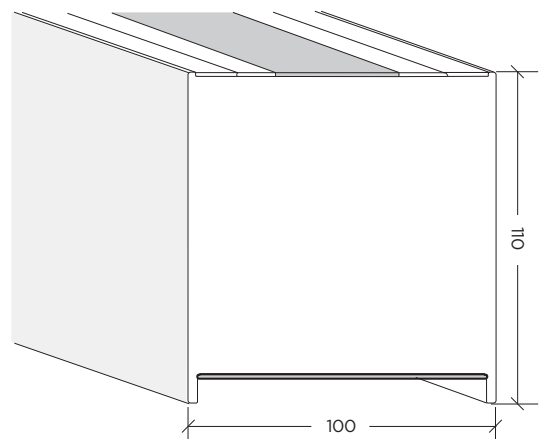
HORIZON 105



REIGN 75



REIGN 110

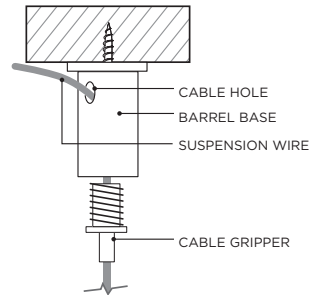
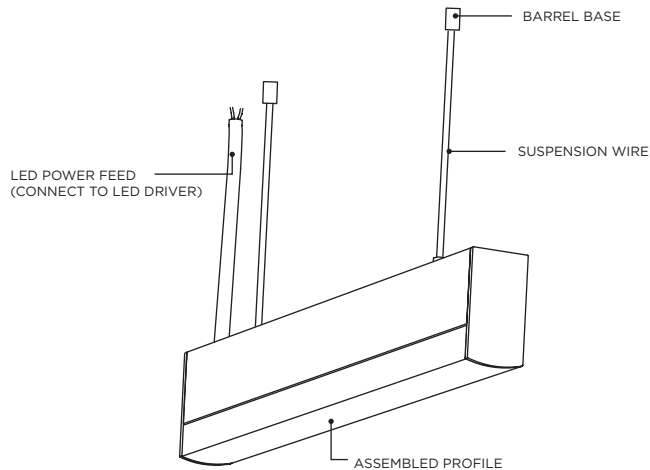


SUSPENDED

INSTALLATION

1 // SUSPENDED PROFILE CABLE INSTALLATION

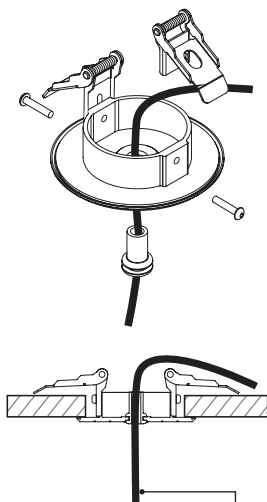
SEE SEPARATE ROD SUSPENSION INSTALLATION GUIDE IS AVAILABLE FOR CHARGE 73, CHARGE 105, REIGN 75 & REIGN 110.



1. Suspension cables will be installed along length.
2. Unscrew cable gripper from barrel base and use suitable screw (not supplied) to secure barrel to support.
3. Thread suspension cable through cable gripper, barrel base and out cable hole, then rescrew cable gripper.
4. To adjust cable length, pull out through cable hole or press cable gripper inwards to release cable.

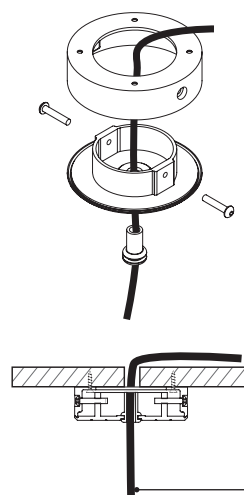
2 // CABLE BASES (FOR POWER FEED)

RECESSED MOUNT INSTALLATION



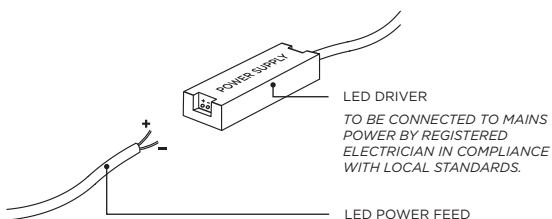
1. Select appropriate ceiling location for cable base - should be above luminaire and where the power feed cable can connect to the LED driver.
2. Drill Ø65mm hole in ceiling for face plate.
3. Connect spring clips to face plate sides using 2 x HY16 screws provided.
4. Ensure grommet is fitted into the face plate and then thread the power feed cable through centre and into ceiling.
5. While holding the spring clips in vertical (up) position, insert the face plate into the ceiling hole. The spring clips will snap back to the horizontal position as soon as they are released and will secure the cable base in place.

SURFACE MOUNT INSTALLATION



1. Select appropriate ceiling location for cable base - should be above luminaire and where the power feed cable can connect to the LED driver.
2. Drill hole in ceiling for power feed cable.
3. Position and screw the surface mount ring onto ceiling using the top four mounting holes, ensuring the drilled ceiling hole is aligned centrally.
4. Ensure grommet is fitted into the face plate and then thread the power feed cable through centre.
5. Thread the power feed cable through the ceiling hole.
6. Fit the face plate into the surface mount ring. Rotate face plate until the side screw holes align, then secure with 2 x HY16 screws provided.

3 // MAKE ELECTRICAL CONNECTION



1. Connect LED power feed to LED driver.