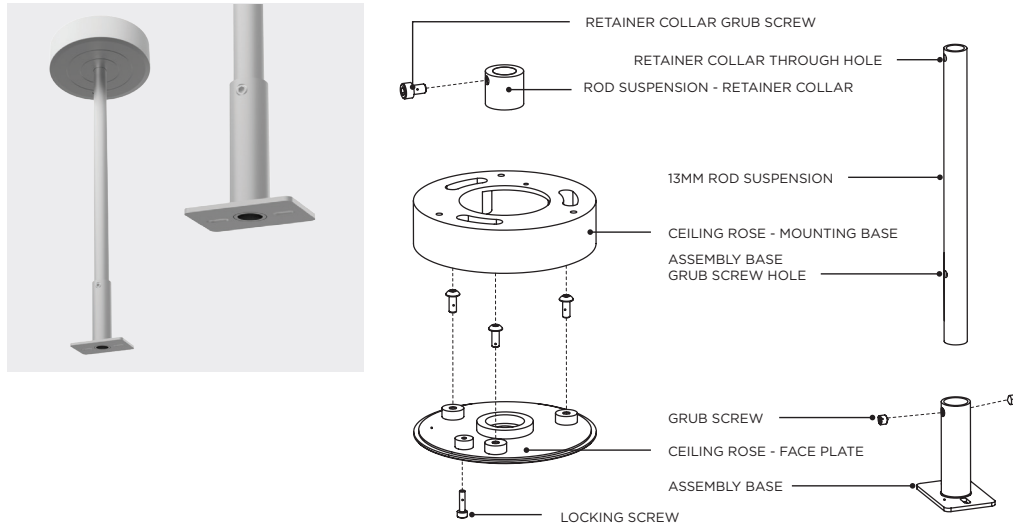
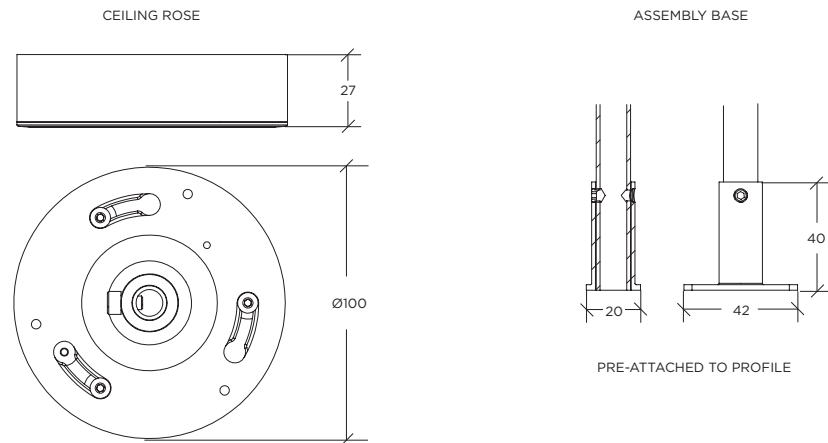


ROD SUSPENSION | SURFACE MOUNT CEILING ROSE



DIMENSIONS

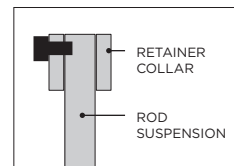
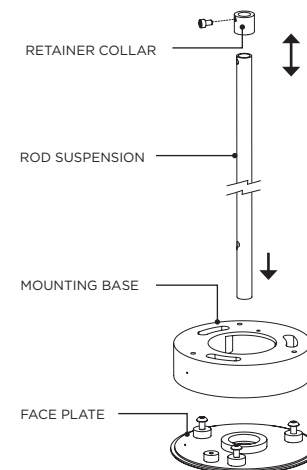


SURFACE MOUNT INSTALLATION

1. Select appropriate ceiling location where the power feed cable can connect to power source or to the LED driver.
2. Drill hole in ceiling for rod suspension retainer collar (also used for power feed if required).

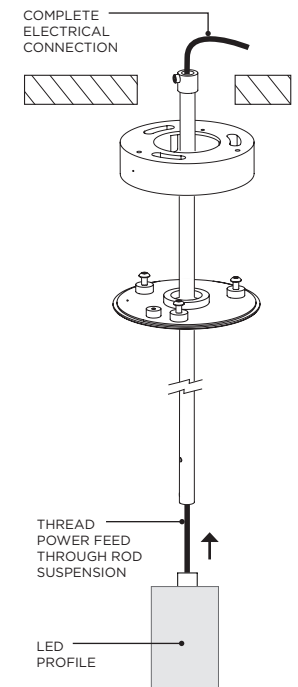
3. Separately:

- Screw rod suspension retainer collar onto ceiling end of the rod suspension. *Drill retainer collar grub screw hole in Rod if not present or if cut on-site.*
- Thread the rod suspension through the mounting base.
- Thread the rod suspension through the face plate.



**IMPORTANT!**  
Ensure screws extend through Retainer Collar holes in Rod Suspension and are not just pressing on the sides. *Double-check even if supplied assembled.*

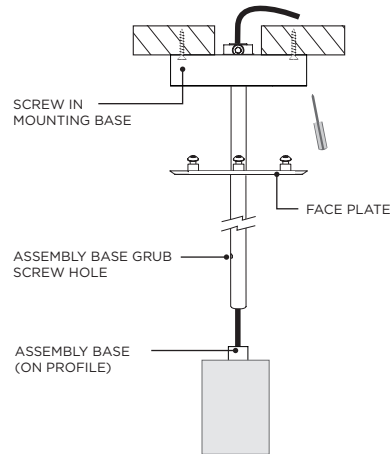
4. Then thread the power feed cable through centre of suspension rod.
5. Complete electrical connection in ceiling cavity with power feed cable from rod suspension.



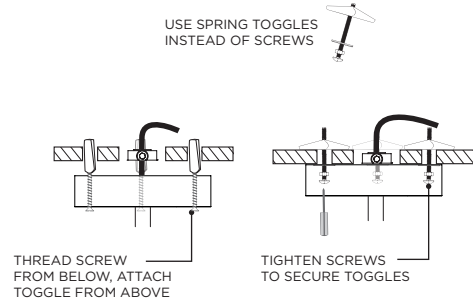
INSTRUCTIONS CONTINUE OVERLEAF ➔

**SURFACE MOUNT INSTALLATION**

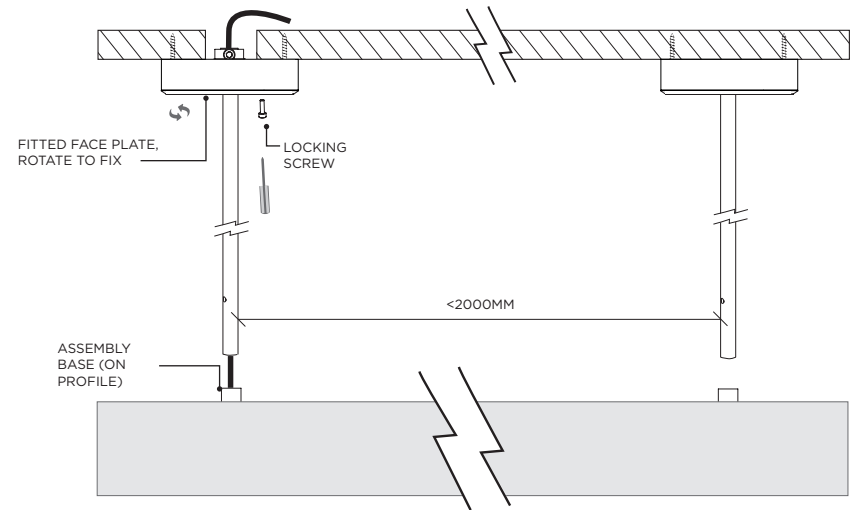
**6. When mounting into timber:** Position the mounting base and screw into ceiling using 3 × screws suitable for timber fixing (not supplied).



**7. When mounting into plasterboard:** Drill 3 × 10mm holes through plasterboard, thread spring toggle screws through mounting base from below and attached toggles from above. Insert all toggles into plasterboard holes and screw to tighten.

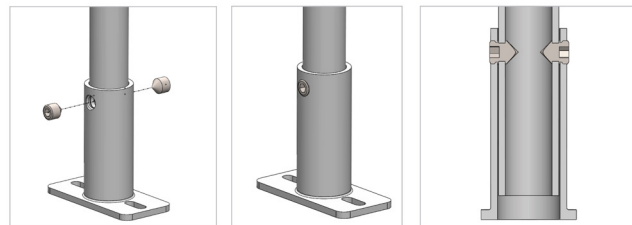
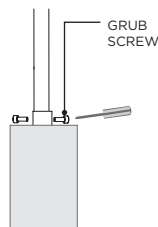


**8. Position face plate screws up against the mounting plate and twist to fix in place, tighten locking screw to secure.**



**9. Insert the Rod Suspension into the assembly base (pre-attached to profile) and secure with 2 × grub screws (included).**

*Drill grub screw hole through Rod if not present or if cut on-site.*



**IMPORTANT!**

Ensure screws extend through holes in Rod Suspension (not just pressing on sides).